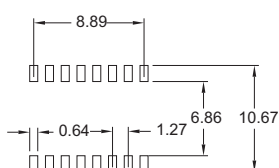
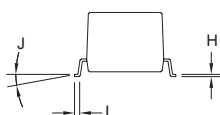
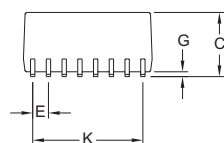
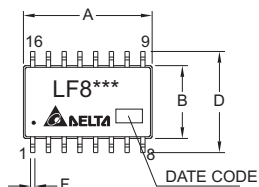


ELECTRICAL CHARACTERISTICS @25°C

Rise Time & Fall Time @5.0ns (Max), Hi-Pot Test @1500Vrms, 60Sec. OCL @8mA DC Bias 350uH (Min)														
Model	Insertion Loss (dB Max)	Return Loss (dB Min)				Cross Talk (dB Min)				Com. To Com. Rejection Ratio (dB Min)		Diff. To Com. Mode Rejection (dB Min)		Turns Ratio TX/RX (±5%)
		1~30				1				1~60		1~60		
		30~60	60~80	1	30	60	100	60~100	60~100					
	1~100 MHz	MHz			MHz				MHz		MHz			
LF8275	-1.0	-18	-14	-12	-65	-55	-45	-35	-40	-30	-40	-30	1:1 / 1:1	
LF8504	-1.0	-18	-14	-12	-65	-55	-45	-35	-40	-30	-40	-30	2:1 / 1:1	
LF8505	-1.0	-18	-14	-12	-65	-55	-45	-35	-40	-30	-40	-30	1:1 / 1:1	
LF8508	-1.0	-18	-14	-12	-65	-55	-45	-35	-40	-30	-40	-30	1:1.414 / 1:1	
LF8643	-1.0	-18	-14	-12	-65	-55	-45	-35	-40	-30	-40	-30	1:1 / 1:1	

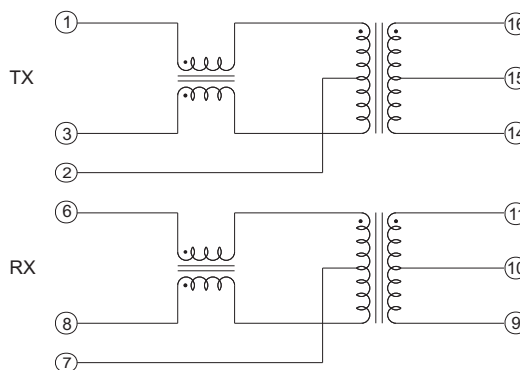
MECHANICAL CONSTRUCTION



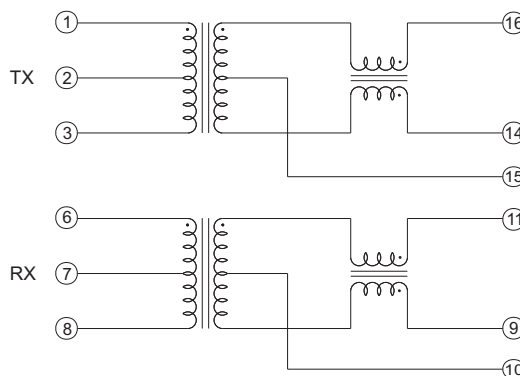
- UNIT : mm / inch
- A = 11.60±0.254 / 0.457±0.010
 - B = 6.70±0.254 / 0.264±0.010
 - C = 5.45±0.254 / 0.215±0.010
 - D = 9.14±0.254 / 0.360±0.010
 - E = 1.27 / 0.050 (TYP)
 - F = 0.46±0.127 / 0.018±0.005
 - G = 0.254±0.127 / 0.010±0.005
 - H = 0.254 / 0.010 (TYP)
 - I = 0.38~1.27 / 0.015~0.050
 - J = 0° ~ 8°
 - K = 8.89 / 0.350 (TYP)

SCHEMATICS

LF8275



LF8504, LF8505, LF8508



SCHEMATICS

LF8643

