



BE SERIES

SWITCH IEC INLET FILTERS



INTRODUCTIONS

1. Applications for UL 544 & UL 2601 health care equipment.
2. Designed as a general purpose filter with a switch effective EMI suppresion for both common and differential mode noise.
3. With optional bleeder resistor.

COMPONENTS

PART NO.	Cx (uF)	L (mH)	R (MΩ)
03BEEG3GM/NG3GM	0.1	2.4	1.0
06BEEG3GM/NG3GM		0.8	
10BEEG3GM/NG3GM		0.3	

M: Medical type

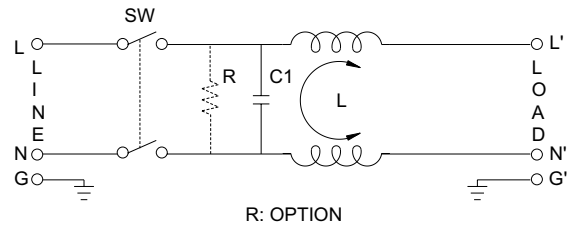
MINIMUM INSERTION LOSS IN dB

COMMON MODE (L-G) IN 50 OHM SYSTEM						
CURRENT RATING	FREQUENCY-MHz					
	.15	.50	1.0	5.0	10	30
3A	20	30	35	20	15	5
6A	10	20	20	20	15	10
10A	5	10	10	15	15	10
DIFFERENTIAL MODE (L-L) IN 50 OHM SYSTEM						
3A	5	15	20	30	30	20
6A	4	10	15	25	25	20
10A	4	10	10	20	20	20

SPECIFICATIONS

1. Maximum leakage current each line-to-ground @ 115VAC 60Hz: 2uA @ 250VAC 50Hz: 5uA
2. Hipot rating (one minute) line-to-ground: 2250VDC line-to-line: 1450VDC
3. Operating frequency: 50/60Hz
4. Rated voltage: 115/250VAC

ELECTRICAL SCHEMATIC



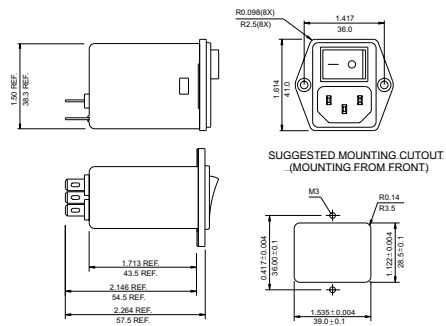
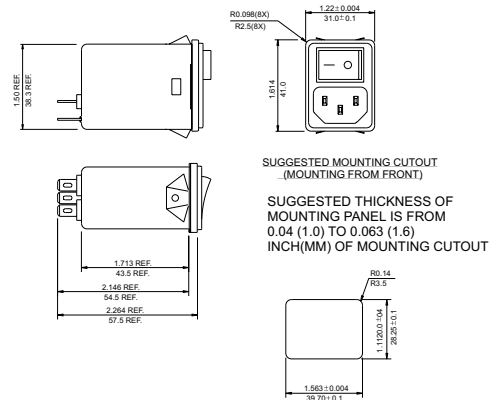
MECHANICAL CONSTRUCTION



BENG3GM



BEEG3GM



UNIT: INCH/mm