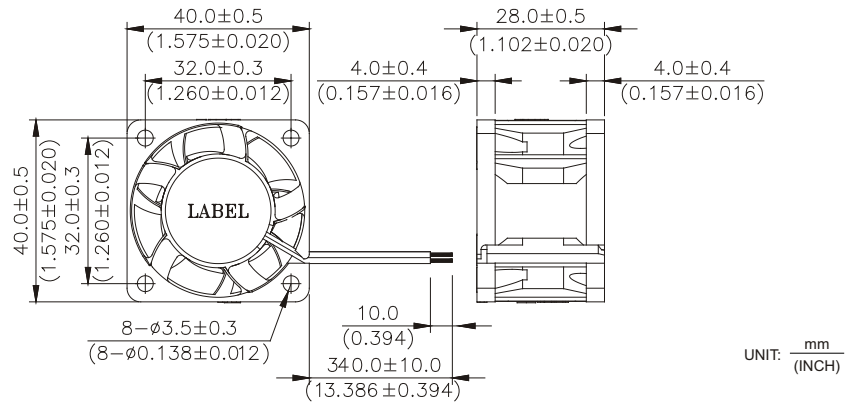


TFB 40 x 40 x 28 MM SERIES

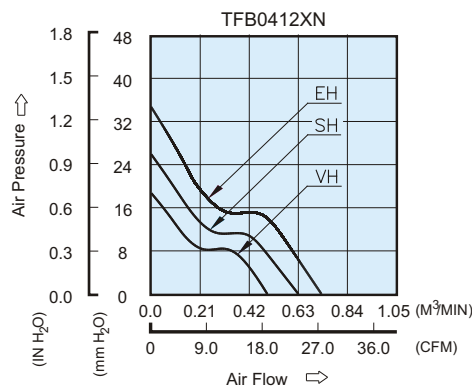
DIMENSIONS DRAWING



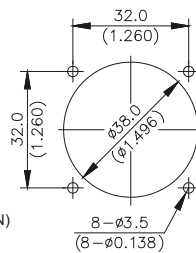
- * Bearing Type: Ball Bearings
- * Material: Impeller & Frame : Plastic(UL 94V-0)
- * Lead Wires : UL 1061 AWG #24 OR Equivalent Red Wire Positive(+) Black Wire Negative(-)
- * Weight : 40g (1.41 OZ)

P & Q CURVE (AT RATED VOLTAGE)

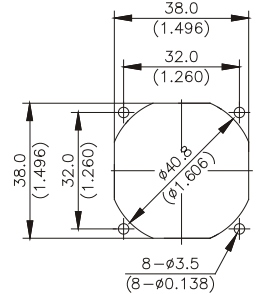
MOUNTING PANEL CUTOUT



OUTLET SIDE



INLET SIDE



UNIT: mm (INCH)

MODEL		Rated Voltage	Operating Voltage Range	Rated Current	Rated Input Power	Speed	Maximum Air Flow		Maximum Air Pressure		Noise
PART NO.	FUNCTION	VDC	VDC	Amp	Watt	R.P.M.	m ³ /min	CFM	mmH ₂ O	IN H ₂ O	dB-A
TFB0412VHN	-R00 / -F00	12	7.0 to 13.2	0.41	4.92	11000	0.494	17.45	18.63	0.733	51.5
TFB0412SHN	-R00 / -F00	12	7.0 to 13.2	0.50	6.00	13000	0.639	22.55	26.00	1.024	55.0
TFB0412EHN	-R00 / -F00	12	7.0 to 13.2	0.72	8.64	15000	0.736	26.03	34.64	1.360	58.0

- * Function type is optional.
- * The max. air flow and the speed are measured in free air ; max. air pressure is measured at zero air flow.
- * Noise is measured in anechoic chamber in free air, one meter from intake side.
- * All readings are typical values at rated voltage.
- * Specifications are subject to change without notice.